

The **isocheck 24T & 15T** systems (for timber floors)

LAYING & FIXING INSTRUCTIONS

SITE CONDITIONS

Before commencing work please ensure that all recessed down-lights or other invasive fittings have been correctly treated prior to closing off the sub-floor from above with the **isocheck** system. If not confirmed of a solid construction all structural walls should be sealed both top and bottom prior to floor laying. e.g.: lath & plaster wall linings, dot & dab systems, 'hollow' battened skirting's, etc. IF IN DOUBT, PLEASE CALL ISOMASS PRIOR TO COMMENCEMENT OF WORK.

The following additional guidance should also be noted before the installation of the **isocheck** system. Please contact us should you wish to deviate for additional advise.

1/ Sub Floor

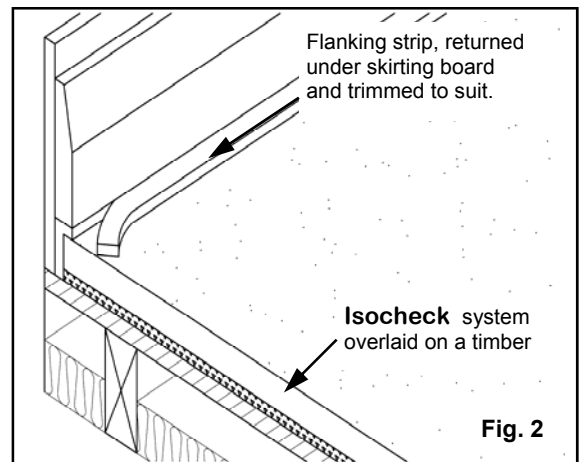
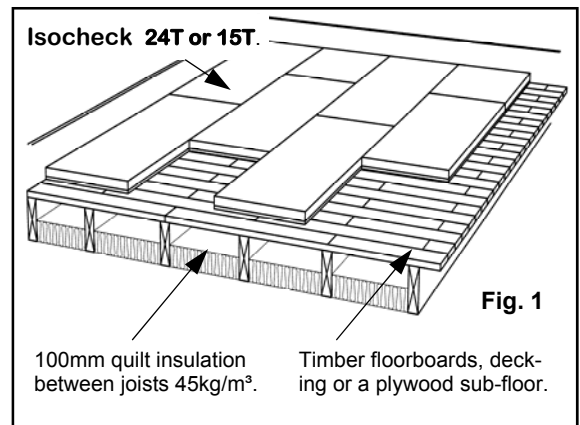
The sub floor should ideally be min 18mm chipboard, OSB, decking ply or original floorboards with a continuous layer of 100mm (45kg/m³) mineral wool insulation between the joists. All nails and screws must be driven flush and securely fixed. The sub-floor should be level, dry and swept clean to allow the **isocheck** system to be laid flat. All service penetrations should be isolated from and sealed to the sub-floor.

2/ Laying timescale

Installation of **isocheck 24T or 15T** should **not** commence until roof, window glazing and wet trades are completed and the structure is watertight. Leave overnight for adhesive to cure before trafficking the newly installed system.

3/ Care of Materials

isocheck must be kept in a dry storage area. Deliveries should be scheduled to coincide with availability of suitable dry storage areas.



INSTALLATION

To commence installation, fitting should begin at the furthest point from the entrance and marked out so as not to finish with any panels less than 200mm wide. The decking must be laid in 'stretcher-bond' pattern, with all joints glued and staggered See **Fig. 1**. No Mechanical fixings should be used. **isocheck** adhesive is applied to both the top of the tongue and the bottom of the groove on each side of each joint. The boards are then pushed tightly together. Surplus adhesive should be wiped away from the surface with a damp cloth.

STUD PARTITIONING

Stud partitioning should be built from the sub floor wherever possible. If it is your intention to build off the top of **isocheck 24T** additional advice should be sought. It is good practice to isolate all partitions built from the sub-floor with **isocheck** flanking strip as this will improve the performance of the walls as well as the floors.

FLANKING STRIPS

isocheck flanking strips provide isolation of the flooring system from all vertical structures and penetrations. The strip is trapped to the wall and returned down over the **isocheck** board as the perimeter boards are placed. The skirting board is then fixed to the wall securing the flanking strip between the skirting board and the **isocheck**. After the skirting board is installed, simply trim the flanking strip flush with a sharp knife. See **Fig. 2**.

PROTECTION

The finished **isocheck 24T & 15T** systems should be protected with an appropriate layer immediately after being installed to prevent damage by any following tradesmen. It is advisable to protect the floor surface from any damage by following trades as in most cases this is the last floor component that remains an integral part of the structure.

Issue: 1

Sheet 1 of 2

Isomass Ltd

St Johns Innovation Centre, Cowley Road,
Cambridge, CB4 0WS
T: 0845 838 33 99
F: 0845 838 33 89
E: technical@isomass.co.uk W: www.isomass.co.uk



The **isocheck 24T & 15T** systems (for timber floors) **LAYING & FIXING INSTRUCTIONS** continued

DOOR OPENINGS / ARCHITRAVES / SKIRTINGS

Door openings should have linings fitted prior to the installation of the acoustic floor. The **isocheck 24T or 15T** boards should be carefully detailed to ensure a good fit. Although not ideal architraves and stops can be fixed after floor installation, leaving a 2/3mm gap from the surface of the floor.

To prevent flanking transmission **all** skirting must be isolated from the floor surface. See **Fig. 2**.

Before incorporation, place **isocheck** flanking strip around the edge of the **isocheck 24T or 15T** boards before pushing in to position. Remove any excess with a sharp knife, flush to the skirting face.

KITCHENS & BATHROOMS

Appliances and sanitary ware, with rigid plumbing connections that penetrate the system, should be isolated from the sub floor and floating floor by cutting a hole up to 10mm larger than the service diameter and filling the gap with a flexible sealant. Ideally kitchen worktops should be isolated from the wall with a **isocheck** flanking isolation strip and trimmed flush with surface before tiling commences.

Kitchen

When laying **isocheck 24T or 15T** in a kitchen we suggest that for best performance the kitchen units are installed on the sub-floor on pads, so that the **isocheck** can terminate at the legs of the units. The plinth can then be installed to the kitchen unit legs, making a neat, flush finish. Lay the floor in areas where appliances will sit, allowing for adequate height below the work surfaces. If installing the units on the floating floor additional advice should be sought to reduce the potential for unwanted impact flanking noise.

Bathroom

When laying the **isocheck 24T or 15T** in a bathroom we suggest that for best performance the bath should be supported from the sub-floor on isolation pads, and the floating floor terminate at the legs of the bath as close as possible. The bath panel can then be installed making a neat, flush finish.

Plywood the same height as the **isocheck** should be laid under the bath, toilet and wash basin area and the joints filled with acoustic sealant where necessary.

CEILINGS

All new ceiling boards should be installed first, especially before any dry-lining of walls (such as dot & dab) to prevent potential flanking transmission. Ceilings should be boarded with a minimum mass of 20kg/m², and must be fixed to resilient bars or suspended from a metal frame system in accordance with manufacturers recommendations.

Health and Safety

HANDLING

Some **isocheck** boards are **HEAVY**. Please observe proper lifting methods and if transporting around site, by hand. Care should also be taken to protect hands from splinters during manual handling.

CUTTING

The cutting of boards, either by hand or machine, will produce dust that may be an irritant if inhaled. **USE** dust masks when carrying out any cutting operations

STORAGE

The fibrous resilient layer, on **isocheck** is manufactured using polyethylene polymers. Therefore, boards should be stored in safe dry areas and kept away from naked flames. **NO SMOKING** policies must be strictly enforced.

Issue: 1

Sheet 2 of 2

Isomass Ltd

St Johns Innovation Centre, Cowley Road,
Cambridge, CB4 0WS
T: 0845 838 33 99
F: 0845 838 33 89
E: technical@isomass.co.uk W: www.isomass.co.uk

