

PRIMO[®] 26 & 30 Systems

Installation instructions



OVERLAY PLATFORM SYSTEMS DIRECT TO FLOORBOARDS in

- New build
- Conversions



PRODUCT DATA

Overall size:

Isocheck PRIMO 26	2400mm x 600mm x 26mm
Isocheck PRIMO 30	2400mm x 600mm x 30mm

Resilient layer: 8mm APF

Weight:

Isocheck PRIMO 26	18.8kg per sheet
Isocheck PRIMO 30	23.0kg per sheet



- Isocheck PRIMO 26 or PRIMO 30 over floorboards.
- 200mm x 70mm joists @ 450mm centres with 100mm 45kg/m³ insulation between joists.
- 20kg/m² double boarded 25mm o/a plasterboard on resilient bars @ 400mm centres perpendicular to joist direction. *or*
- Isocheck PRIMO 30 over floorboards.
- 250mm x 50mm joists @ 450mm centres with 100mm 45kg/m³ insulation between joists.
- 22kg/m² double boarded 28mm o/a plasterboard.

DESCRIPTION

- ❑ The isocheck PRIMO 26 and PRIMO 30 systems are designed to reduce sound transmission through traditional joisted timber floors.
- ❑ To be used over existing floorboards for new build or refurbishments with a new resilient bar ceiling.

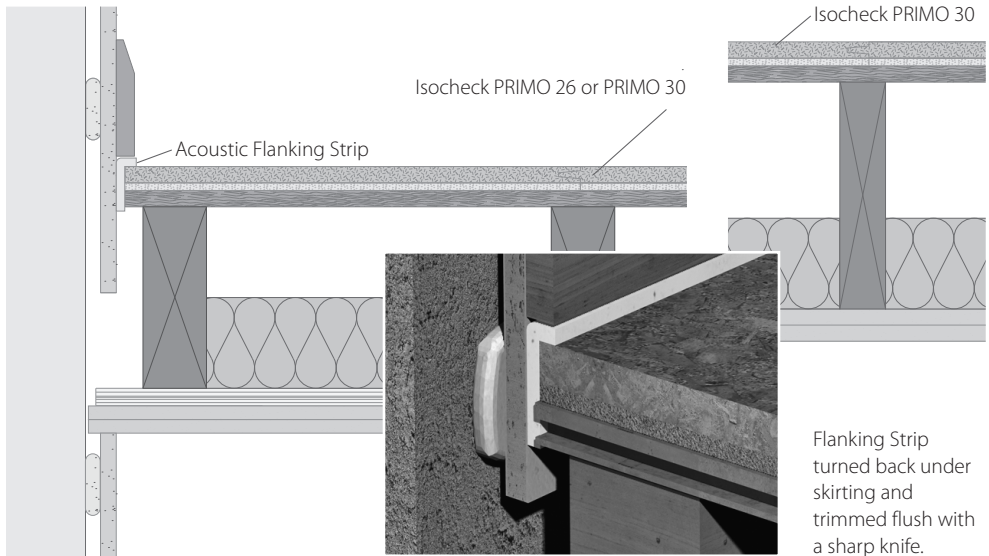
PREPARATION

- ❑ The presence of steel work, lift shafts and even ceiling penetrations can often impair acoustic performance. If any of these (or other issues not previously declared) are present on your site, please contact us for additional advice.
- ❑ Ensure that all recessed down-lights or other invasive fittings have been correctly treated prior to closing off the sub-floor from above with the isocheck system. If not confirmed of a solid construction all structural walls should be sealed both top and bottom prior to floor laying. e.g.: lath & plaster wall linings, dot & dab systems, 'hollow' battened skirting's, etc. IF IN DOUBT, PLEASE CALL ISOMASS PRIOR TO COMMENCEMENT OF WORK.
- ❑ Floor should ideally be 18mm chipboard, OSB, decking ply or original floorboards with a continuous layer of 100mm (45kg/m³) mineral wool insulation between the joists. All nails and screws must be driven flush and securely fixed.

- ❑ The sub-floor should be level, sufficiently dry and swept clean to allow the isocheck PRIMO to be laid flat. All service penetrations should be isolated from and sealed to the sub-floor.
- ❑ Installation of isocheck PRIMO should not commence until roof, window glazing and wet trades are completed and the structure is watertight. Leave overnight for adhesive to cure before trafficking the newly installed system.
- ❑ Isocheck PRIMO must be kept in a dry storage area. Deliveries should be scheduled to coincide with availability of suitable dry storage areas.

INSTALLATION - GENERAL

- ❑ Apply Isocheck Acoustic Angled Flanking Strip on the edges of the PRIMO boards just before they are pushed against the perimeter walls to isolate PRIMO from the wall. PRIMO fitting should begin at the furthest point from the entrance and marked out so as not to finish with any panels less than 200mm wide.



- ❑ The decking must be laid in broken bond pattern, with all joints glued and staggered. No mechanical fixings should be used. Isocheck adhesive is applied to both the top of the tongue and the bottom of the groove on each side of each joint. PRIMO boards are then pushed tightly together. Surplus adhesive should be wiped away from the surface with a damp cloth.

INSTALLATION - DOOR OPENINGS, ARCHITRAVES & SKIRTINGS

- ❑ Door openings should have linings fitted prior to the installation of the acoustic floor. The isocheck PRIMO boards should be carefully detailed to ensure a good fit. Although not ideal architraves and stops can be fixed after floor installation, leaving a 2/3mm gap from the surface of the floor.
- ❑ To prevent flanking transmission all skirting must be isolated from the floor surface. Before incorporation, place isocheck Flanking Strip around the edge of the isocheck PRIMO boards before pushing in to position. Remove any excess with a sharp knife, flush to the skirting face.

STUD PARTITIONING

- ❑ Stud partitioning should be built from the sub floor wherever possible. If it is your intention to build off the top of isocheck PRIMO boards, additional advice should be sought. It is good practice to isolate all partitions built from the sub-floor with isocheck Flanking Strip as this will improve the performance of the walls as well as the floors.

FLANKING STRIPS

- ❑ Isocheck Flanking Strips provide isolation of the flooring system from all vertical structures and penetrations. The Flanking Strip is trapped to the wall and returned down over the isocheck board as the perimeter boards are placed.
- ❑ The skirting board is then fixed to the wall securing the Flanking Strip between the skirting board and the isocheck PRIMO. After the skirting board is installed, simply trim the Flanking Strip flush with a sharp knife.

PROTECTION

- ❑ The finished isocheck PRIMO system should be protected with an appropriate layer immediately after being installed to prevent damage by any following tradesmen.

HANDLING

- ❑ Some isocheck boards may be HEAVY. Please observe proper lifting methods and if transporting around site, by hand. Care should also be taken to protect hands from splinters during manual handling.

CUTTING

- ❑ The cutting of boards, either by hand or machine, will produce dust that may be an irritant if inhaled. USE dust masks when carrying out any cutting operations.

INSTALLATION - KITCHENS & BATHROOMS

- ❑ Appliances and sanitary ware, with rigid plumbing connections that penetrate the system, should be isolated from the sub floor and floating floor by cutting a hole up to 10mm larger than the service diameter and filling the gap with a flexible sealant. Ideally kitchen worktops should be isolated from the wall with a isocheck Flanking Strip and trimmed flush with surface before tiling commences.

If in doubt on any area, please call Isomass prior to commencement of work.

- ❑ In a kitchen, we recommend that for best performance the kitchen units are installed on the sub-floor on pads, so that the isocheck PRIMO can terminate at the legs of the units.
- ❑ The plinth can then be installed to the kitchen unit legs, making a neat, flush finish. Lay the floor in areas where appliances will sit, allowing for adequate height below the work surfaces. If installing the units on the floating floor additional advice should be sought to reduce the potential for unwanted impact flanking noise.

- ❑ In a bathroom, we recommend that for best performance the bath should be supported from the sub-floor on isolation pads, and the floating floor terminate at the legs of the bath as close as possible. The bath panel can then be installed making a neat, flush finish.

- ❑ Plywood the same height as the isocheck PRIMO should be laid under the bath, toilet and wash basin area and the joints filled with acoustic sealant where necessary.

INSTALLATION - CEILINGS

- ❑ Ceiling boards should be installed first, especially before any dry-lining of walls (such as dot & dab) to prevent potential flanking transmission. Ceilings should be boarded with a minimum mass of 20kg/m², and must be fixed to resilient bars or suspended from a metal frame system in accordance with manufacturers recommendations.

Every effort has been taken in the preparation of this sheet to ensure the accuracy of representations contained herein. Recommendations as to the use of materials, construction details and methods of installation are given in good faith and relate to typical situations. However, every site has different characteristics and reliance should not be placed upon the foregoing recommendations. Advice can be given as to specific applications of the products, upon request to isomass building products.



Units 10 & 11, Avenue Business Park, Off Brockley Road,
Elsworth, Cambridgeshire CB23 4EY

Tel: 0845 838 33 99 • Fax: 0845 838 33 89 • Email: info@isomass.co.uk • www.isomass.co.uk