

One of the **isomass** systems range

isocheck™

Isolation Washers



VIBRATION & SOUND TRANSMISSION REDUCTION SYSTEM

DESCRIPTION

- ❑ Isocheck Isolation Washers are designed to isolate and separate mechanical fixings from the surrounding structure and reduce the transfer of noise and vibration. They are a simple, cost effective solution to the problem of vibration and noise transfer through mechanical components.
- ❑ Each Isolation Washer is a one-piece component which comprises a vulcanised, zinc plated washer cured to a neoprene 'top hat' washer.
- ❑ The washers are available to fit most British Standard bolts.

APPLICATIONS

- ❑ Isocheck Isolation Washers are suitable for any application where mechanical fixings are required.
- ❑ Isocheck Isolation Washers will treat any fixing/bolt-through connection which requires isolation, for example, steelwork isolation in building structures and machine tool holding down bolts.

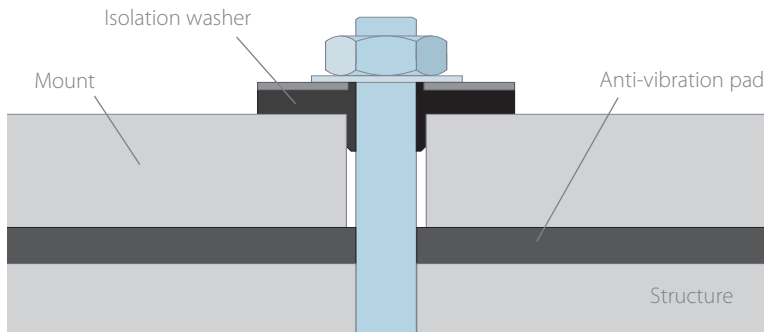
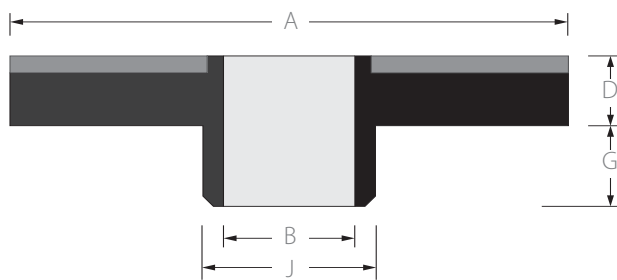


We take the *mystery* out of Acoustics



Product data

Washers	A (mm)	B (mm)	D (mm)	G (mm)	J (min hole dia.) (mm)
ATHW 08	26.0	8.5	5.6	10.0	12.5
ATHW 10	30.0	11.0	6.0	10.0	14.5
ATHW 12	40.0	13.0	6.5	10.0	16.6
ATHW 16	50.0	17.0	8.0	10.0	22.5
ATHW 20	61.0	21.0	9.0	10.0	27.0
ATHW 24	65.0	25.0	10.0	10.0	31.0



BENEFITS

- ❑ Isocheck isolation washers are durable and easy to install.
- ❑ Used in conjunction with acoustic / anti-vibration pads, the isocheck isolation washers provide a high degree of vibration isolation. This is achieved by providing a resilient connection where bolt-through fixings are necessary for stability and security.
- ❑ Without the isocheck isolation washer, the fixing will bypass the vibration pad, so providing reduced/limited isolation and vibration protection.

SPECIFICATION

The isolation washers shall be:

- ❑ Isocheck Isolation Washers, supplied by Isomass Ltd.
Unit 14 Papworth Business Park,
Stirling Way, Papworth Everard,
Cambridgeshire CB23 3GY and
installed in accordance with
manufacturer's instructions /
recommendations.

For further advice on the use and specification of isocheck isolation washers and anti-vibration pads, contact Isomass.

Every effort has been taken in the preparation of this sheet to ensure the accuracy of representations contained herein. Recommendations as to the use of materials, construction details and methods of installation are given in good faith and relate to typical situations. However, every site has different characteristics and reliance should not be placed upon the foregoing recommendations. Advice can be given as to specific applications of the products, upon request to isomass building products.