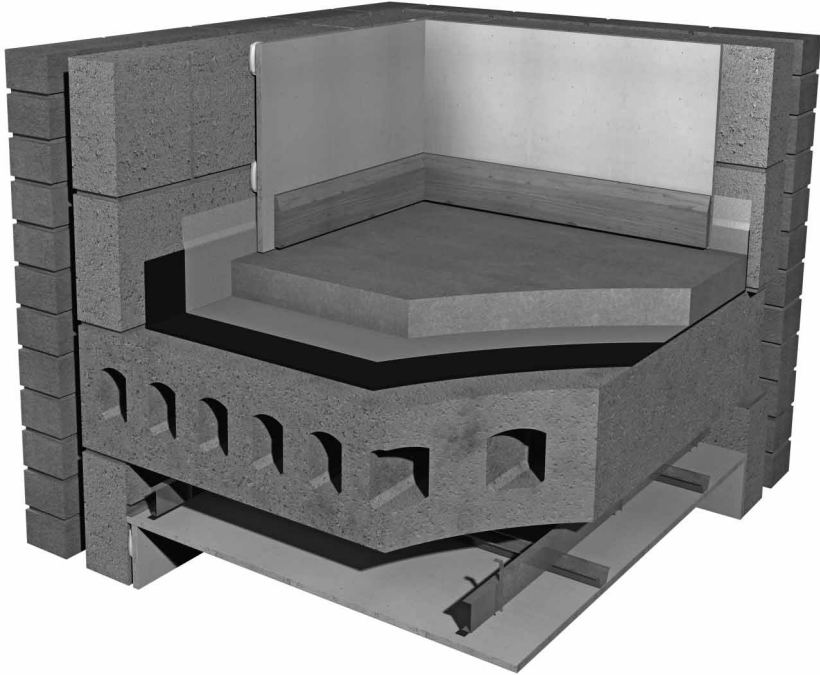


Screedcheck XL5 System

Installation instructions



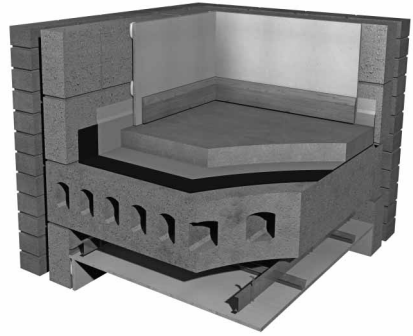
IMPACT IMPROVEMENT SYSTEM FOR CONCRETE FLOORS for

- New build
- Conversions



PRODUCT DATA

Overall size:	2500mm x 50m
Thickness:	5mm
Foam composition:	Closed cell cross linked Isopoli



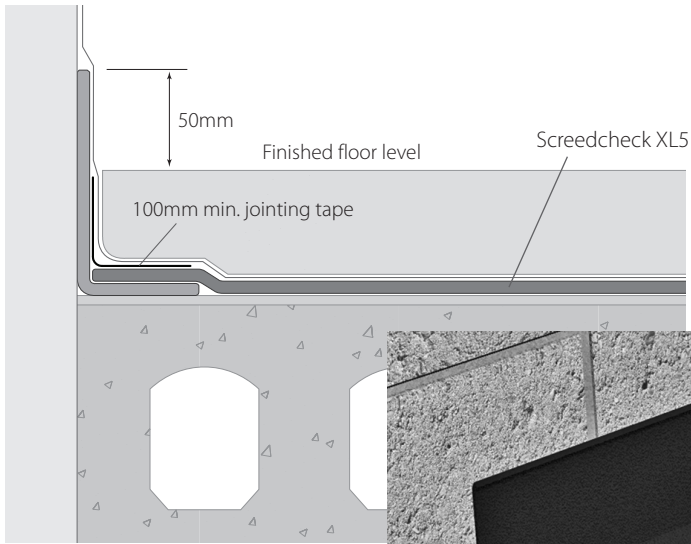
DESCRIPTION

- ❑ The isocheck Screedcheck XL5 system from Isomass features a 5mm closed cell cross linked foam layer that has been designed to be placed within a masonry structural floor directly below the screed.
- ❑ This isolates the screed from the structural sub floor, and provides sufficient impact absorption to place it amongst the top performing systems available.

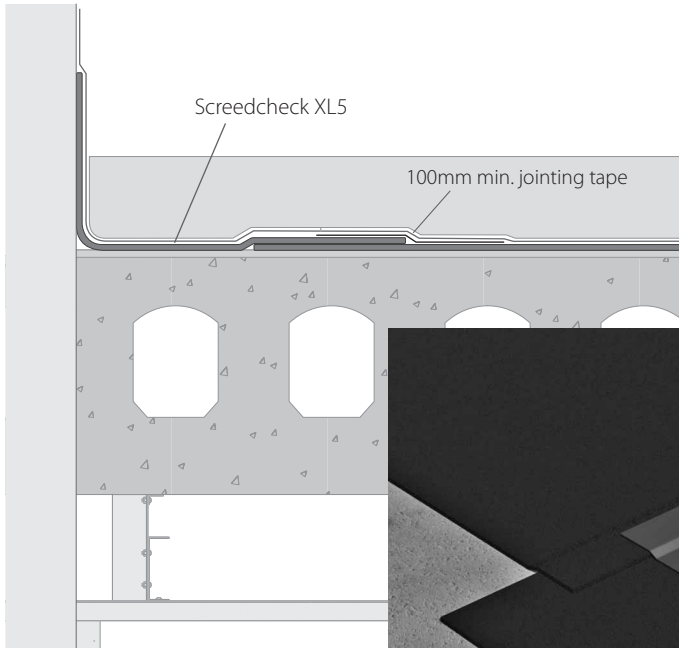
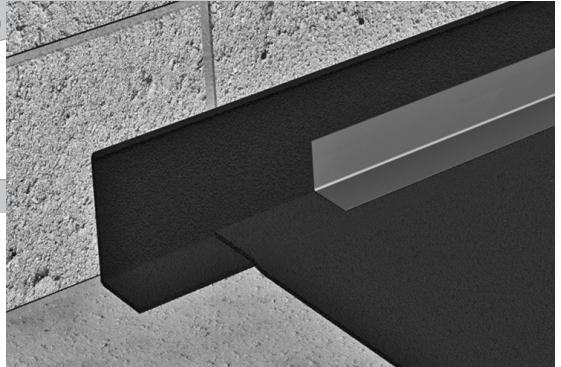
- min 80kg/m² - 65mm sand cement screed or 40mm liquid proprietary screed.
- Optional (1000 gauge or 0.25mm) plastic sheeting - to aid screed pouring and maintain joints in Screedcheck XL5.
- Screedcheck XL5 on grouted sub floor.
- ≥300kg/m² minimum structural sub floor.
- 75mm min. void formed by metal frame suspended ceiling system and ≥10kg/m² gypsum board ceiling.

INSTALLATION

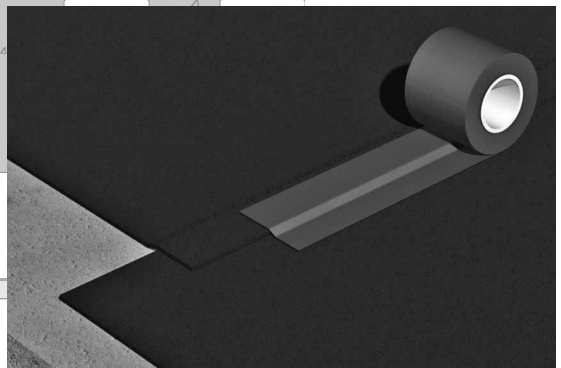
- ❑ Ensure isocheck Screedcheck XL5 is stored in a dry, ventilated area.
- ❑ The floor surface should be swept free of all wax, oil, grease, grit, loose debris and other objects that could damage or bridge the isocheck Screedcheck XL5 system. Fill holes and irregular surfaces with levelling compound.
- ❑ Unroll Screedcheck XL5 and allow to rest for a few hours before measuring and cutting. Cut using a sharp knife and a straight edge.
- ❑ Roll out the first length of Screedcheck XL5 across the base floor.
- ❑ XL5 can be rolled up the wall or lapped and taped to an XL5 perimeter flanking strip (top right). A flanking strip should have at least 50mm on the sub-floor. Both options should allow a minimum 50mm to protrude above the intended finished floor level of the screed.
- ❑ Adjoining roll edges should be overlapped by at least 50mm and sealed with a minimum 100mm wide jointing tape (bottom right).
- ❑ Before screeding, a 1000 gauge or 0.25mm plastic sheeting can be rolled out over the Screedcheck XL5 and up the walls. This will aid screed pouring and maintain joints in the Screedcheck XL5. Overlap all joints in the sheeting by 100mm and seal with tape



Lap Screedcheck XL5 over flanking strip by 50mm min. and seal with 100mm tape. Alternatively, roll XL5 directly up the wall (see diagram below).



Overlap Screedcheck XL5 at joints by 50mm min. and seal with 100mm tape.



INSTALLATION - Continued

- ❑ Screeds can then be poured directly over the Screedcheck XL5 or the optional plastic sheet - typically to a depth of 65mm.
- ❑ Any services that penetrate the screed should be isolated by wrapping with Screedcheck XL5 and then taped to the main layer.
- ❑ Protect the XL5 layer from other trades. When trafficking the floor take care not to perform any unnecessary actions that may cause any of the taped joints to be forced apart.

If in doubt on any area, please call Isomass prior to commencement of work.

Every effort has been taken in the preparation of this sheet to ensure the accuracy of representations contained herein. Recommendations as to the use of materials, construction details and methods of installation are given in good faith and relate to typical situations. However, every site has different characteristics and reliance should not be placed upon the foregoing recommendations. Advice can be given as to specific applications of the products, upon request to isomass building products.



Units 10 & 11, Avenue Business Park, Off Brockley Road,
Elsworth, Cambridgeshire CB23 4EY

Tel: 0845 838 33 99 • Fax: 0845 838 33 89 • Email: info@isomass.co.uk • www.isomass.co.uk